



High-frequency transformer

EI28 Series

Parameters/Dimensions:

EI28 Type 1

Information:

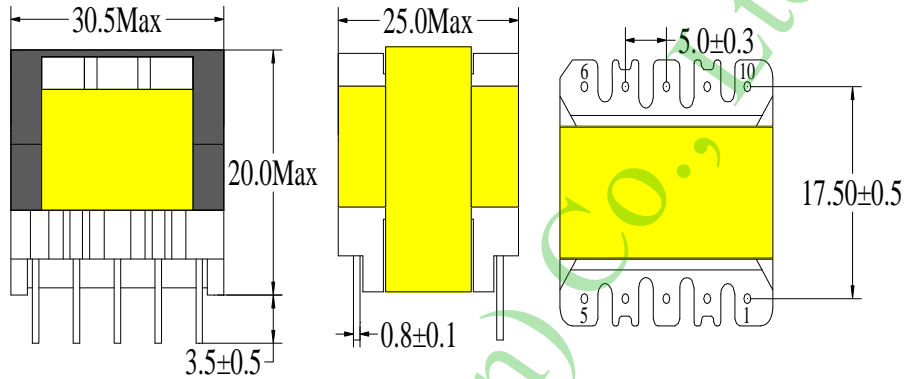
Shape:EI28

1 Power:65W

2 Mounting Orientation: Vertical

3 Size: 30.5 (W) * 25 (L) * 20 (H)

4 Effective Ae (mm²): 88.7



EI28 Type 2

Information:

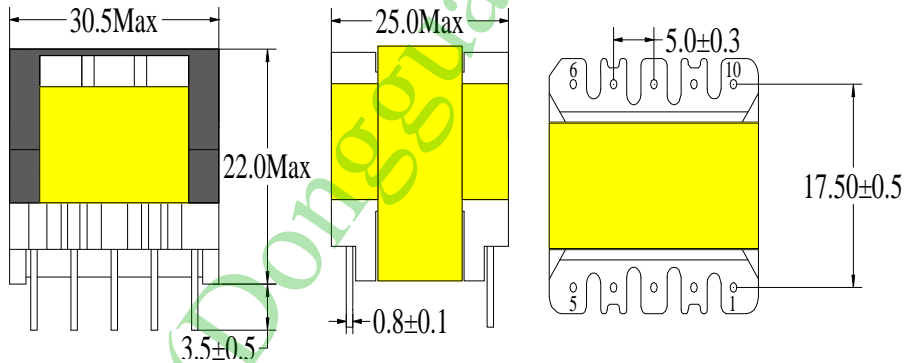
Shape:EI28

1 Power:65W

2 Mounting Orientation: Vertical

3 Size: 30.5 (W) * 25 (L) * 20 (H)

4 Effective Ae (mm²): 88.7



EI28 Type 3

Information:

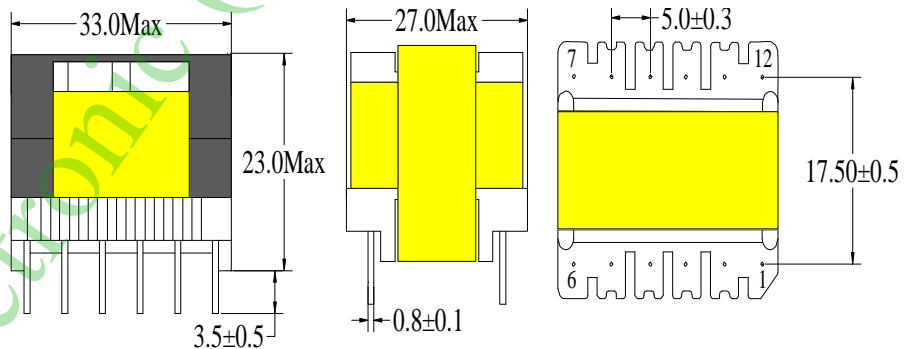
Shape:EI28

1 Power:65W

2 Mounting Orientation: Vertical

3 Size: 33 (W) * 27 (L) * 23 (H)

4 Effective Ae (mm²): 88.7



Note:

Bobbin type listed in the traditional style, transformer design parameters to customer needs or to inject prevail.

EI series high-frequency transformer features:

Compact structure, small size, high operating frequency, wide operating voltage range, the air gap at the top of the coupling coil tight, low loss. Loss negatively correlated with temperature, to prevent the temperature rising.

Uses:

Power converter transformer and choke, DVD power, camera flash, communications equipment and other electronic equipment. .